

## KK\*P-\*E, S-Couplers, Bulkhead Type with One-touch Fitting KK2P-04E

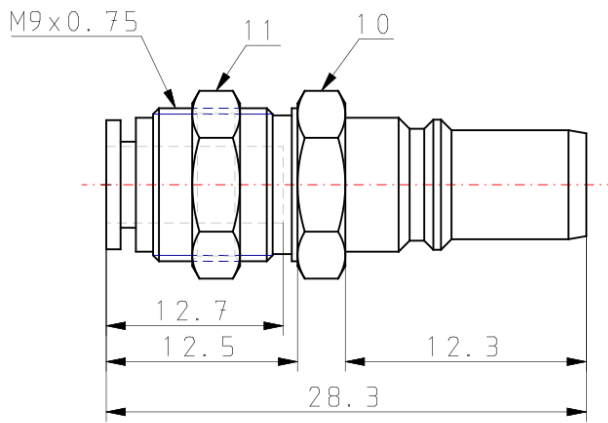
### Data Sheet

- S coupler for general purpose with Plug and Socket
- Applicable tubing from Ø 3.2 to Ø 16
- Thread, sizes: M, R, Rc, from M5 to 3/4
- Fluid temperature: -5 to 60 °C, water: 5 to 40 °C
- One-touch fitting type standardized
- With sleeve lock mechanism (Except KK2).

## Standard Specifications

Body Size	M5
Applicable Tubing O.D.	ø4 mm
Pressure medium	Air, Water
Maximal operating pressure	1.0 MPa
Minimum operating pressure	-100 kPa
Proof pressure	1.5 MPa
Maximum ambient temperature	60 °C / 40 °C for Water
Minimum ambient temperature	-5 °C (with no freezing) / 5 °C for Water
Effective Area	3.8 mm <sup>2</sup>
Sealing principle	Electroless nickel plated (copper-free application), With male thread sealant
Weight	0.010 kg

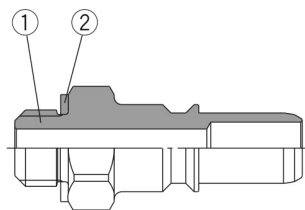
## Dimensions



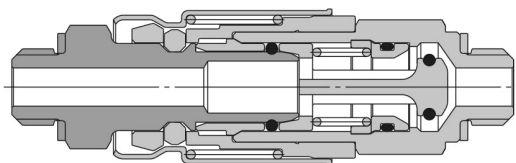
# Constructions

## Construction

### KK2



Plug



### Plug

No.	Description	Material	Note
1	Stem	Brass	Electroless nickel plated
2	Gasket	Stainless steel, NBR	

## Additional information

Catalogue

[KK-C\\_EU.pdf](#)